

## Table of Contents

<i>Figure</i>	<i>Title</i>
EA-9D102	Electrical System Schematic (up to SN LT004)
EA-9D102A	Electrical System Schematic (SN LT005 thru LT019)
EA-9D102B	Electrical System Schematic (SN LT020 thru LT026)
EA-9D102C	Electrical System Schematic (from SN LT027)
EA-9D102.1	Electrical System (up to SN LT002)
EA-9D102.1A	Electrical System (SN LT003 + LT004)
EA-9E102.1B Sheet 1	Electrical System (from SN LT005 thru LT029)
EA-9E102.1B Sheet 2	Electrical System (from SN LT005 thru LT029)
EA-9E102.1C Sheet 1	Electrical System (from SN LT030 thru LT034)
EA-9E102.1C Sheet 2	Electrical System (from SN LT030 thru LT034)
EA-9E102.1D Sheet 1	Electrical System (from SN LT035)
EA-9E102.1D Sheet 2	Electrical System (from SN LT035)
EA-9D102.3	Nav/Strobe Light Sys. (up to SN LT007)
EA-9D102.3A	Nav/Strobe Light Sys. (from SN LT008)
EA-93102.4A	Fuel Gages
EA-9E102.5	COM S/E GERÄT
EA-93102.6B	Audio Switches & Jacks
EA-9E102.11	Fuel Boost Pump
EA-93102.11B	Fuel Boost Pump
EA-9D102.12	Stall Warning System
EA-9E102.14A	Pedal Adjustment System
EA-94102.14C	Pedal Adjustment System
EA-9D102.15	Accelerometer (up to SN LT019)
EA-9D102.15A	Accelerometer (from SN LT020)
EA-93102.20A	Transponder TRT-800(H)
EA-93102.21A	Transponder GTX328/330 (up to SN LT019)
EA-93102.21B	Transponder GTX328/330 (from SN LT020)
EA-93102.22	Transponder BXP6401
EA-93102.25	Transponder GTX327
EA-93102.26	Transponder ATC4401
EA-9D102.27	Volt/Ampere Indication
EA-9D102.30	RPM Indication
EA-96102.31	Starter Engaged Light
EA-9D102.34A	Oil Press/Temp Indication
EA-94102.39	Smoke System (Single Pump)
EA-9D102.42	ARTEX ME 406 ELT (up to SN LT019)
EA-9D102.42A	ARTEX ME 406 ELT (from SN LT020)
EA-93102.43	Transponder BXP-6401-x & Enc
EA-9C102.44A	Electric Trim System
EA-9D102.46	Aspen EFD1000 PFD (up to SN LT019)

EA-9D102.46A	Aspen EFD1000 PFD (from SN LT020)
EA-9D102.47	Aspen EFD500/1000 MFD (up to SN LT019)
EA-9D102.47A	Aspen EFD500/1000 MFD (from SN LT020)
EA-9D102.48	Garmin GNC 420W
EA-96102.49	RC Allen RCA2600
EA-9D102.51	Intercom NAT AA 83 (up to SN LT019)
EA-9D102.51A	Intercom NAT AA 83 (from SN LT020)
EA-9D102.52 Sheet 1	Digital Indication MVP-50P (up to SN LT019)
EA-9D102.52A Sheet 1	Digital Indication MVP-50P (from SN LT020)
EA-9D102.52 Sheet 2	Digital Indication MVP-50P
EA-9D102.53	Landing Light
EA-9E102.53	Landing Light
EA-9D102.54	Garmin GNS 430W
EA-9D102.55	Clock
EA-9D102.56	12VDC Outlet
EA-9D102.58A	EGT & CHT Indication
EA-93102.59	FLIGHT TIMER
EA-9E102.60	GPSMAP 695
EA-9D102.62	GARMIN GTN 635
EA-9D102.63	GARMIN GTN 650/750
EA-9D102.64A	GARMIN GTX 33
EA-9D102.65	GARMIN GMA 35
EA-9E102.66	AERA 795
EA-9D102.68	PANELDOCK IPAD MINI
EA-9C102.69	KANNAD 406 AFELT
EA-9D102.70	DUAL USB CHARGING PORT

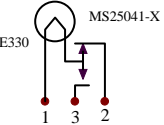
OPTION 01, 02, 07, 08

OPTION 03, 04, 09, 10

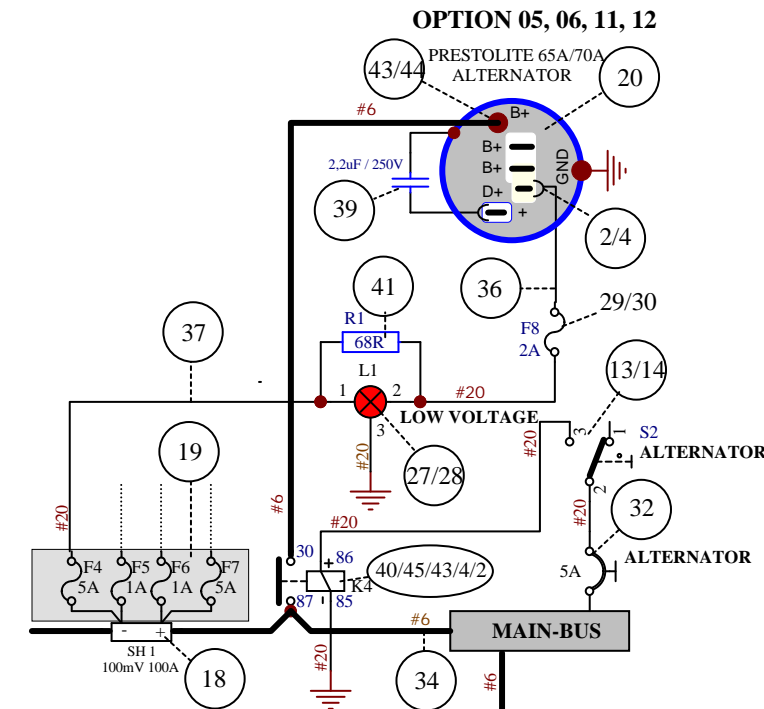
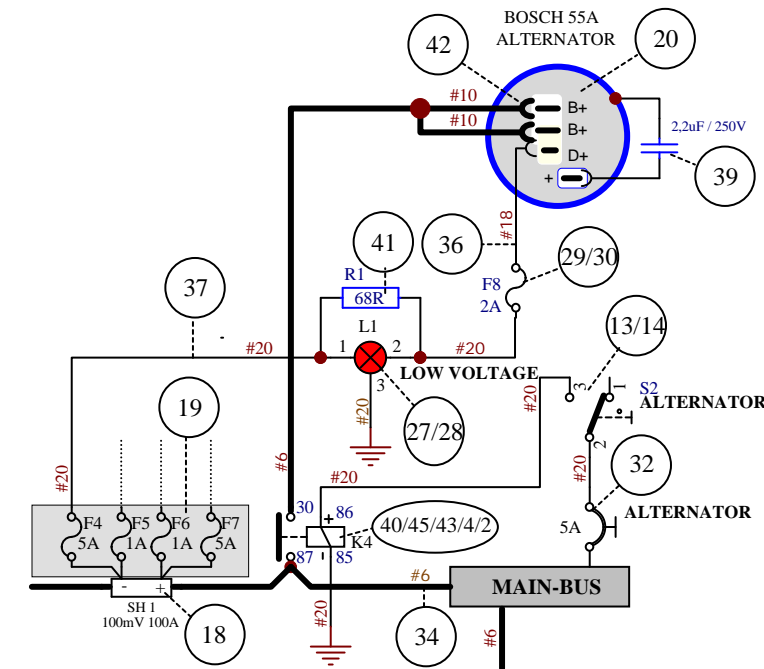
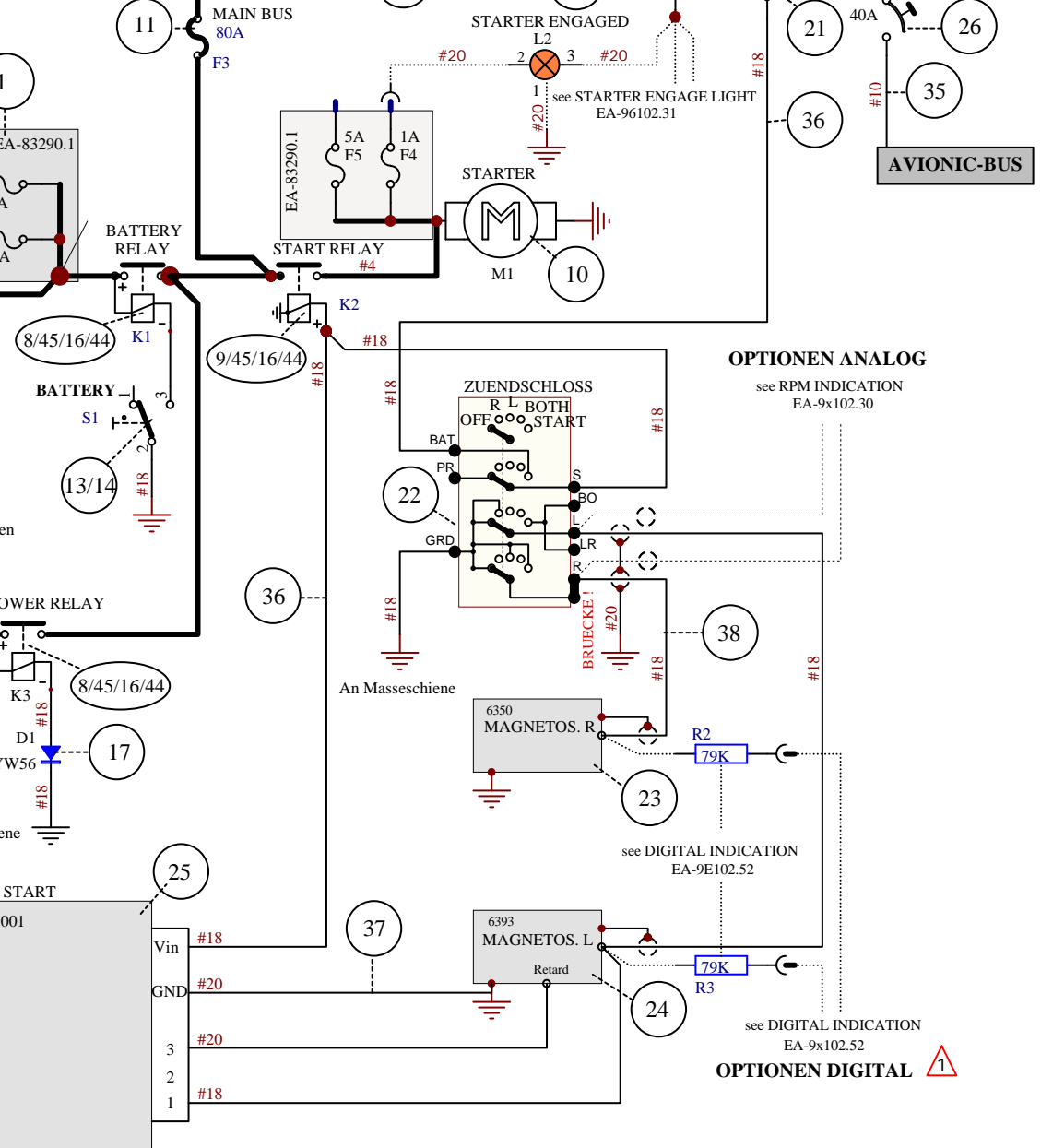
OPTIONEN ANALOG see VOLT AMPERE INDICATION EA-9x102.27

OPTIONEN DIGITAL see DIGITAL INDICATION EA-9x102.52

L1 PRESS TO TEST MS25041-X



zwischen Relaismutter und Kabelschuh montiert



- OPTION 12 = BATTERIE RG-12LSA und PRESTOLITE ALTERNATOR 65A mit MS SWITCH
- OPTION 11 = BATTERIE RG-12LSA und PRESTOLITE ALTERNATOR 65A mit KISSLING SWITCH
- OPTION 10 = BATTERIE RG-12LSA und BOSCH ALTERNATOR 55A mit MS SWITCH
- OPTION 09 = BATTERIE RG-12LSA und BOSCH ALTERNATOR 55A mit KISSLING SWITCH
- OPTION 08 = BATTERIE RG-12LSA und PLANE POWER 60A mit MS SWITCH
- OPTION 07 = BATTERIE RG-12LSA und PLANE POWER 60A mit KISSLING SWITCH
- OPTION 06 = BATTERIE RG-25XC und PRESTOLITE ALTERNATOR 65A mit MS SWITCH
- OPTION 05 = BATTERIE RG-25XC und PRESTOLITE ALTERNATOR 65A mit KISSLING SWITCH
- OPTION 04 = BATTERIE RG-25XC und BOSCH ALTERNATOR 55A mit MS SWITCH
- OPTION 03 = BATTERIE RG-25XC und BOSCH ALTERNATOR 55A mit KISSLING SWITCH
- OPTION 02 = BATTERIE RG-25XC und PLANE POWER 60A mit MS SWITCH
- OPTION 01 = BATTERIE RG-25XC und PLANE POWER 60A mit KISSLING SWITCH

- ⚠ OPTION 07 - 12 = BATTERIE RG-12LSA nicht fuer Muster EA-300/LT
- ⚠ im Musterumfang EA-300/LT enthalten
- ⚠ im Musterumfang EA-300/LC NICHT enthalten

Die Gültigkeitszuordnung von Version zu Version ist der Bauakte bzw. dem jeweiligen Fertigungsauftrag zu entnehmen. Zuordnung links / rechts wird mit ** in allen Feldern angegeben.	Letzte Bearbeitung:		Datum	Name	Maßstab	auf	Projektion
	Bearb.:	10.02.11	HW		SI	-KI	asse
	Gepr.:				Oberfl	achenschutz	Oberfl
	Gepr.:						
				EA 300/LC ELEKTRIK SYSTEM		EA-9E102.1	
						D	
Ver: Bezeichnung		Nr.: Änderung/Mod. Nr.:		Datum		Name	
EDV-Kennung: EA3E0900d		Schwarze Heide 21		46569 Hünxe, Germany		Schutzvermerk nach DIN 34 beachten	

