

SERVICE BULLETIN No. 300-2-94

Information only

Subject: Attachment of engine control bowden cables

Models affected: EA-300 EA-300/S

Serial numbers affected: V1,01 through 52 01 through 23

Purpose: The above mentioned attachment, due to insufficient bolt torque, could be subject to rotation. The subsequent missalignment leads to increased wear and bending of the bowden cable.

Compliance: Extra proposes a repeated inspection at 25 hours intervall, or at any other time engine cowling is removed.

Modification of the attachments accoring to the instructions below eliminate the need for the repeated inspection.

Make appropriate entry of compliance with this Service Bulletin in the aircraft logbook. Add the issue of this SB to the list of SBs in the Service Manual.

Instructions:

Note: Alterations or repair of the airplane must be accomplished by licenced personell only.

The instructions in this SB are devided in two parts:

- I. for inspection and
- II. for potential replacement of the attachments

I. Inspection

A proper function of the bowden cable depends on the angle between bowden cable clamp block and the attachment (refer to Figure 1). For this reason the respective alignment angle and the bolts torque of the AN 3-10A bolts has to be checked. The correct bolt torque value for the AN 3 bolt is 3.5 to 4.5 Nm (3-40in lbs).

Make appropriate entry of compliance with this SB in the aircraft logbook.

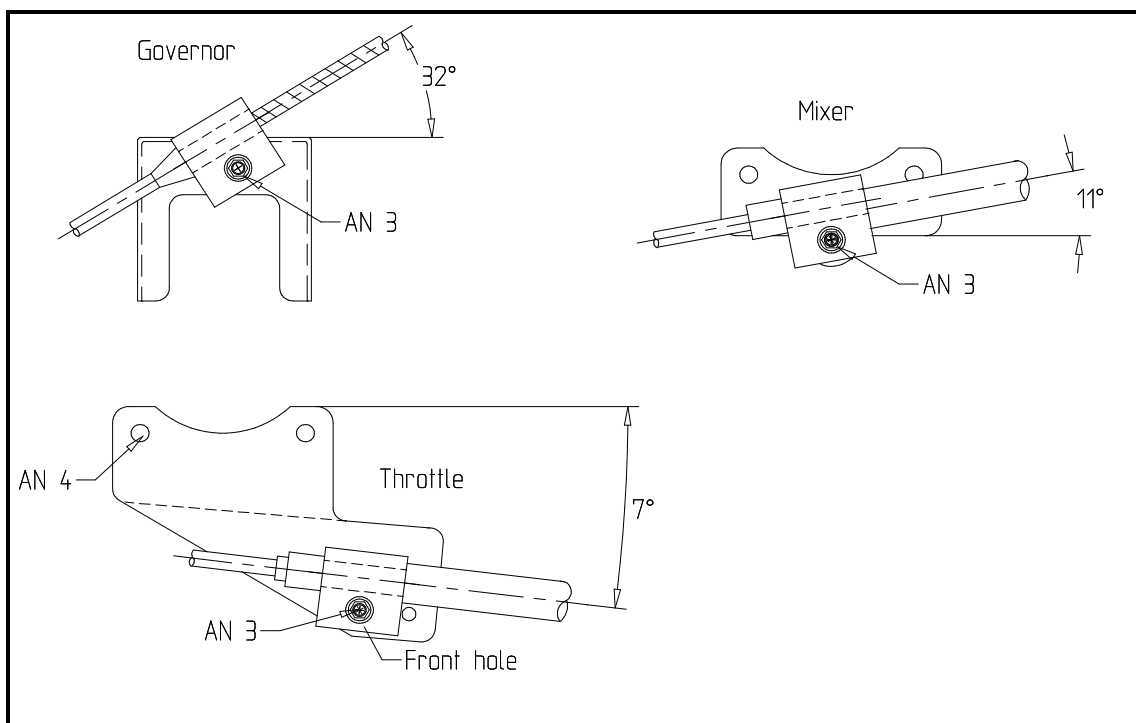


Figure 1 Correct alignment angles

II. Replacement of the attachment.

- Disassemble the existing attachments (governor bowden cable attachment PC 63301.6, mixer bowden cable attachment PC 63301.4 and throttle bowden cable attachment PC 63301.5).

- Install the new throttle and mixer bowden cable attachment with AN 4 bolts MS20074-0406 (PN\ PC-01853) and DIN 125 M6 washers (PN\ PC-00417). Use new bolts and washers if necessary. Secure the bolts with safety wire.
- The governor bowden cable attachment has to be installed with AN 3-3A (PN\ PC-00202) bolts and DIN 125 M5 washers (PN\ PC-00416). Use new bolts and washers if necessary. Always use new AN 3 stop nuts MS20365-1032A (PC -02347).
- Mount the clamp blocks on the respective attachment using AN 3-10A (PN\ PC-02252) bolts, DIN9021 M5*20 (PN\ PC-00564) and DIN 125 M5 washers (PN\ PC-00416). Use new bolts and washers if necessary. Always use new AN 3 stop nuts MS21042-3 (PN\ PC-00802). Pay attention to the stopper at the attachment sheet (Refer to Figure A2). The proper bolt torque of the AN 3-10A is 3.5 to 4.5Nm (30-40 in lbs).

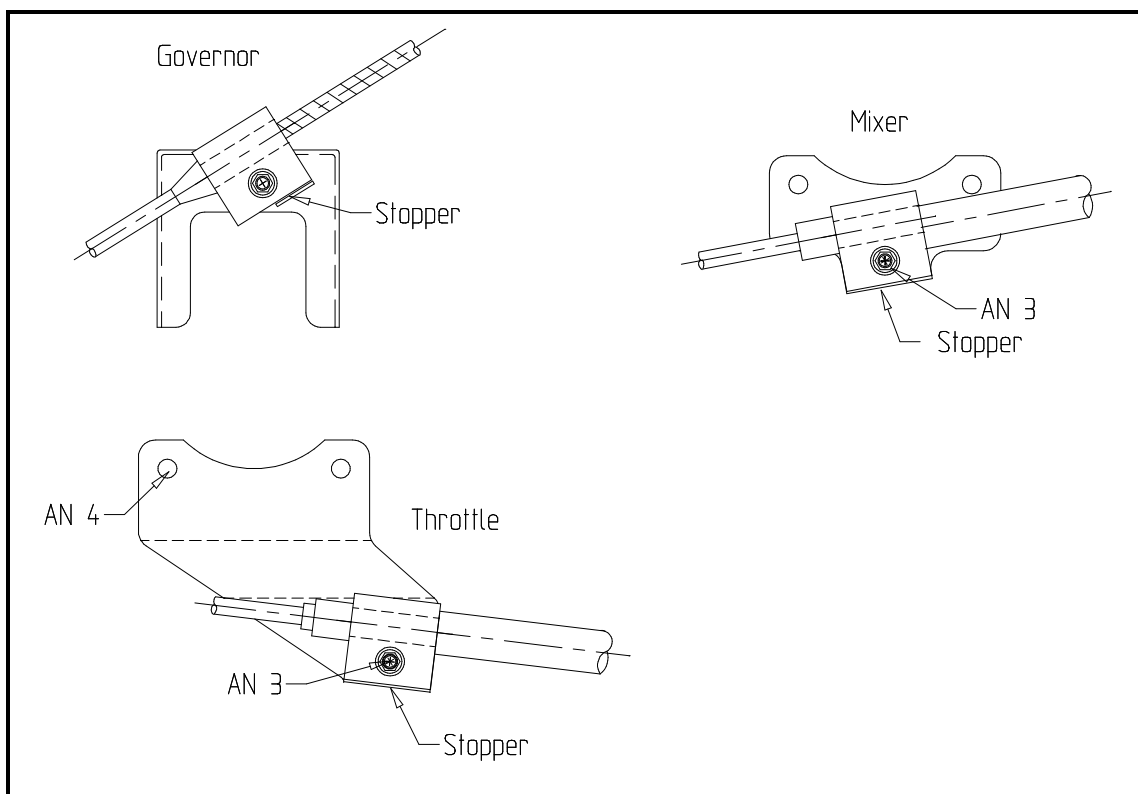


Figure 2 Modified attachments

EXTRA Flugzeugbau GmbH	Service Bulletin	Doc.: SB-300-2-94
Flugplatz Dinslaken	EA-300 & EA-300/S	Issue: A
46569 Hünxe	Date :	16.06.1994
Germany		

- Make appropriate entry of compliance with this SB in aircraft logbook.

Material required:

	<u>Part Number</u>
Govenor bowden cable attachment	PC-63301.5)*
Mixer bowden cable attachment	PC-63301.4)*
Throttle bowden cable attachment	PC-63301.6)*
3* AN 3 stop nut MS21042-3	PC-00802
2* AN 3 stop nut MS20365-1032A	PC-02347

)* when ordering specify modification N° ÄM-300-94-8

if necessary:

4* AN 4 bolt MS20074-0406	PC-01853
4* DIN 125 M6 washer	PC-00417
2* AN 3-3A	PC-00202
8* DIN 125 M5 washer	PC-00416
2* DIN 9021 M5*20	PC-00564

Parts can be ordered through:

EXTRA Flugzeugbau GmbH
 Flugplatz Dinslaken, Schwarze Heide
 46569 Hünxe / Germany
 Tel: (49) 2858 6851
 Fax: (49) 2858 7124