

SERVICE BULLETIN No. 300-3-94

Compliance mandatory

Subject: Canopy Latches

Models affected: EA-300/S

Serial numbers affected: SN01-24

Purpose: Failure of the front latches have been reported

Approval: The technical content of this Service Bulletin have been approved by LBA.

Compliance time: Visual Inspection prior to each flight;

Instructions:

- Inspect all canopy latches which hold the lock and hinge sleeves for cracks at mounting bolt holes and at the adjustment bends of the latch as shown in figure 1. (So far only the front latches were reported to have failed. Cracks have not been reported from the rear latches.). Make sure the mounting bolt holes are round. Some latches unpermissibly have been modified with enlarged holes to adjust the fit a new canopy. New canopies need to be installed with new latches only.
- The latches (especially on the canopy side) commonly show cracks in the paint coating. Therefore the paint coating should be partially removed prior to structural inspection. Apply a corrosion preventive coating afterwards.
- In case cracks are found in the latches perform modification of the latches according to figure 2 or install new latches (P/N PC-23303.8P1 for both front latches and the rear right; PC-23303.8P2 for rear left).



- The latches are custom fit for every A/C. Hence new parts need to be trimmed for the specific application. When ordering new parts please exactly specify the dimensions of your latch (length, bend angle, and sleeve position). Reinforcements of old parts as shown in figure. 2 are to be custom fit as well.
- The modification and the new parts feature a doubled latch steel sheet to provide a redundant load path. Upon installation of the modified / new parts apply wax or penetrating oil to prevent corrosion between the two sheets.
- Make appropriate entry of compliance with this Service Bulletin in the aircraft logbook.

Note:

- Engine running with canopy open imposes very high vibrational stresses on the canopy latches and thus is not permissible.
- Cracks in the canopy side latches have not been reported so far. However it will be good practice to check for potential cracks in the preflight walkaround inspection.
- Alterations or repair of the airplane must be accomplished by licenced personell only.

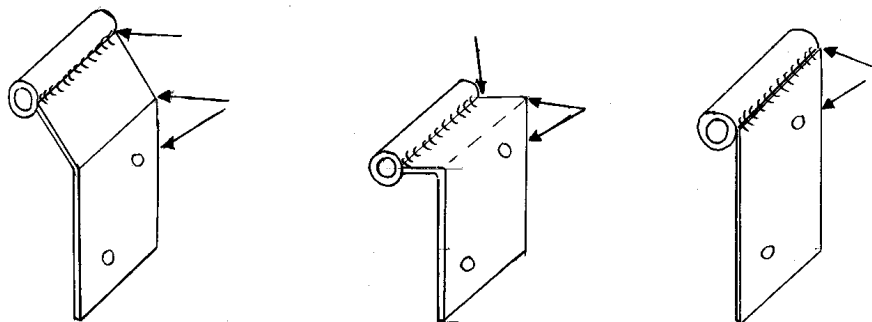


Fig 1. Potential crack areas of the latches

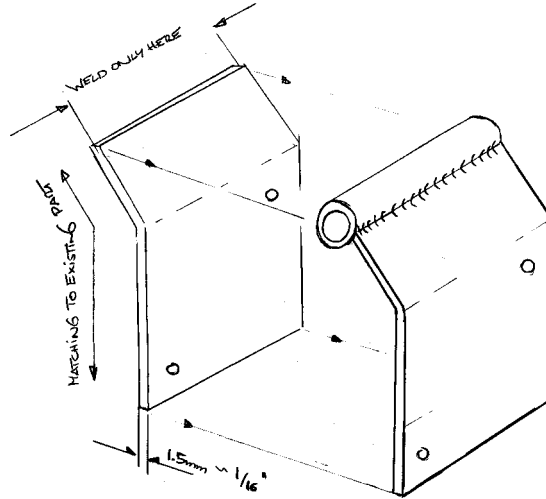


Fig. 2. Latch modification

- For the modification use 1.7734.4 or 4130 steel, 1.5mm thick
- Weld reinforcing sheet to sleeve only
- Apply wax or penetrating oil between sheets