



SERVICE BULLETIN

No. 300-1-98

Compliance optional

- Subject:** Front seat, installation of a lap belt guide
- Aircraft affected:** EA-300/200 SN 01 through 23,
24 and on are factory equipped with the lap belt guide.
- Purpose:** A rudder pedal lock due to interference with the front seat belt harness has been reported.
- Approval:** The technical content of this Service Bulletin has been approved by LBA.
- This service bulletin is approved by the Manager, Small Airplane Directorate, ACE-100, Federal Aviation Administration of the United States, by letter dated May 20, 1998, as an alternate means of compliance for United States Airworthiness Directive 97-22-03.

COMPLIANCE TIME:

In case compliance with service bulletin 300-1-97 has been shown, no compliance time is given. If no safety covers are installed so far, lap belt guides must be installed prior to next flight.

This Service Bulletin describes an alternative means of compliance in addition to the Service Bulletin 300-1-97



INSTRUCTIONS:

- Remove safety covers installed according Service Bulletin 300-1-97.
- Substitute the old brake pedals by the new ones (see figure 1).
 - > Disconnect the pedal from the brake cylinder stem.
 - > Remove the stopper screw.
 - > Unscrew the pedal by loosening the screws at the left and right end of the axle.
 - > Install the new pedals.
 - > Re-connect the arm to the stem and put the stopper in place
- Install new lap belt according chapter 25-10-03 of the Service Manual.
- Drill holes into the flange of the seat pan using the guides as templates (see figure 2)
- Install lap belt guides (see figures 2 and 3).
- Check pedals of free movement in any adjustable position.
- Make appropriate entry of compliance with this service bulletin in the aircraft log.

Note: Alterations or repair of the aircraft must be accomplished by licenced personell only.

LIST OF PARTS USED:

- Lap belt, Hooker PN 11160
- Lap belt guides DWG-No. EA-77205.2
- 6 x bolt LN9037 06020
- 6 x self locking nut LN 9348-06
- 12 x washer DIN 9021 M6 (6.4 x 20)
- Brake pedals DWG-No. EA-47303-02

Required parts needs to be ordered from Extra Flugzeugbau GmbH.

Please refer to this service bulletin.

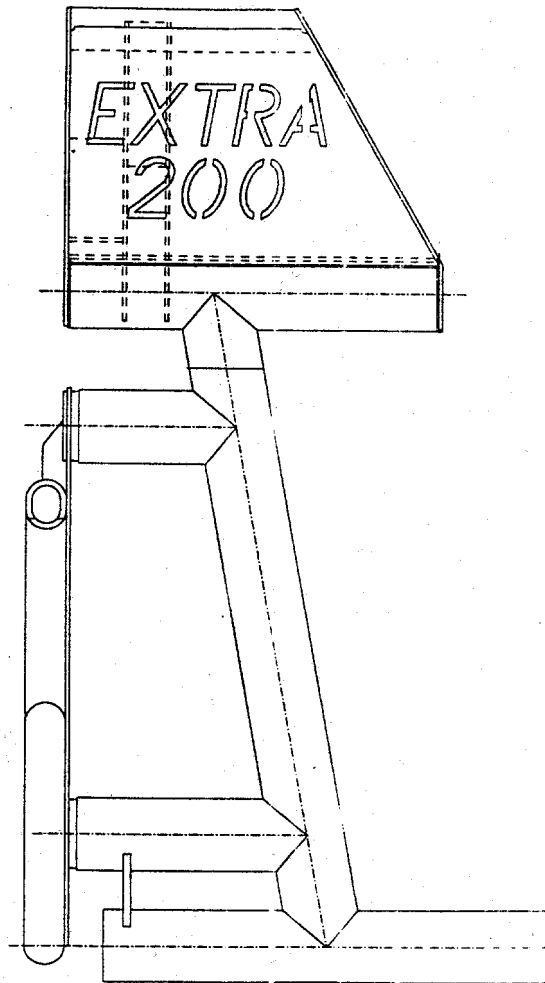


Figure 1
Left pedal shown

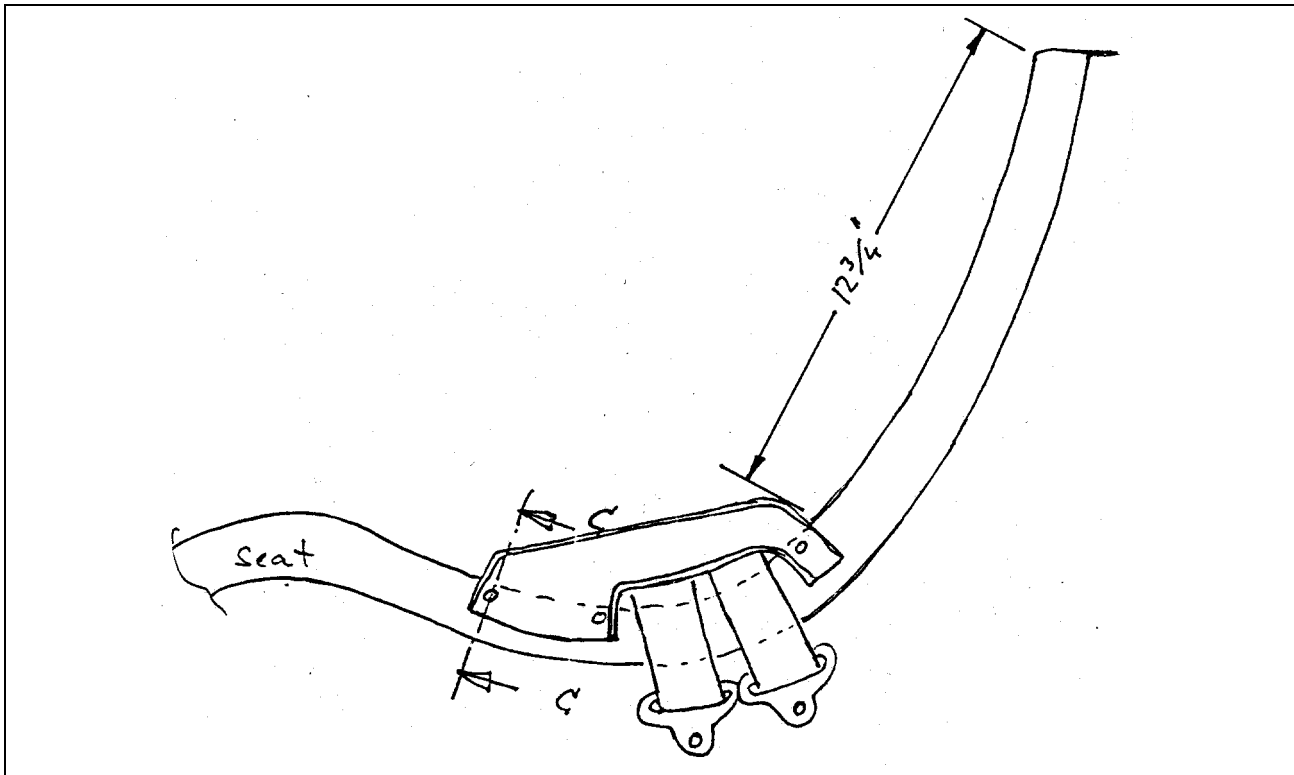


Figure 2

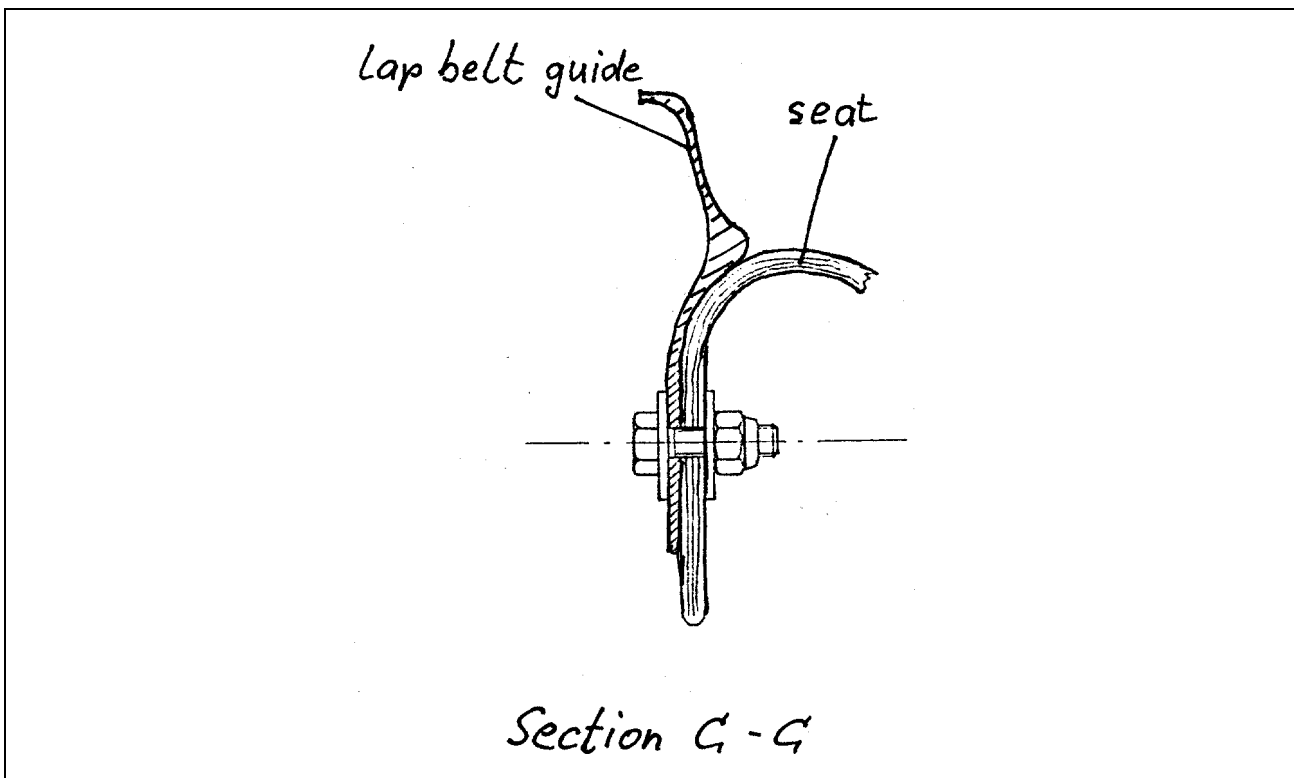


Figure 3