

## SERVICE BULLETIN

### No. SB-NG-1-22

**Compliance recommended**

<b>Subject:</b>	<b>Fuel &amp; Smoke Tanks Chafing</b>
<b>Aircraft affected:</b>	EXTRA NG: S/N NG001 through NG030, except for NG021 & NG023.
<b>Purpose:</b>	<p>Deflection of the tanks under g-loads may lead to contact between the tanks' bottom wall and the structure underneath.</p> <p>Damage was reported in one case where the countersunk bolts installed underneath the tanks for fixation of the fuel selector valve bracket were not installed entirely flush with the surrounding structure and consequently have damaged the bottom of the fuel acro tank. In consequence, additional rubber pads were introduced to protect the tanks from chafing in the respective areas.</p> <p>This Service Bulletin provides instructions for modification in this area in order to prevent further issues.</p>
<b>Approval:</b>	The technical content of this document is approved under the authority of the DOA ref. EASA.21J.593.

---

### COMPLIANCE TIME

The retrofit of the rubber pads as described in this Service Bulletin needs to be carried out

- at the next service interval (50h / 100h / annual inspection) at the latest.

## INSTRUCTIONS

### NOTE

Alterations or repair of the aircraft must be accomplished by licensed personnel only.

1. Make sure the aircraft is powered down, the ignition switch is in position OFF and the key is removed.
2. Remove the upper and lower Cowling as per Chapter 71-10 and the bottom fuselage access panel as per Chapter 53-30-01 of the EXTRA NG Maintenance Manual (AMM) and disconnect the main battery.
3. Follow the instructions of Chapter 28-10-01 of the AMM for removal of the center tank, those of Chapter 28-10-02 for removal of the fuel acro tank and those of Chapter 87-10-01 for removal of the smoke oil acro tank respectively.
4. Inspect lower side of the tanks for damage, wear and tear. In case visible damage beyond light scratches on the paint is found, replace respective tank with new one.
5. Inspect tank compartments and verify bolts and attachments installed underneath the tanks are approximately flush with the surrounding structure without sharp edges.
6. Thoroughly clean the lower surface of the tanks with solvent. Verify bonding surface is free from dust and grease.
7. Cut rubber pads (width 20mm, thickness 2mm) to length as necessary and glue them to the bottom side of the tanks using Cyanoacrylate (CA) or self-adhesive film if provided as per figures below:

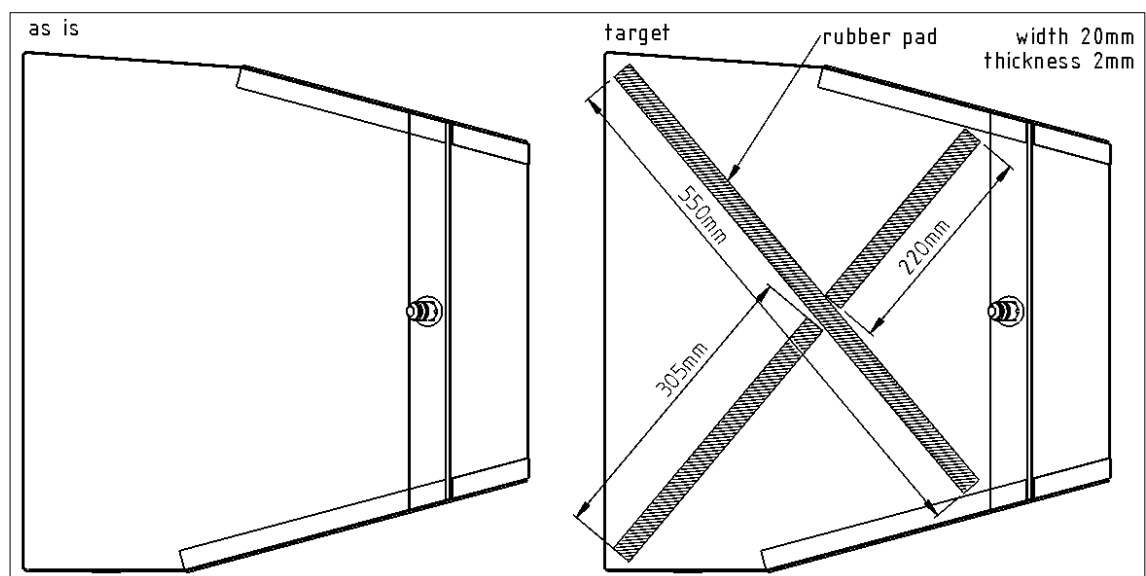


Figure 1 Center Tank – bottom view

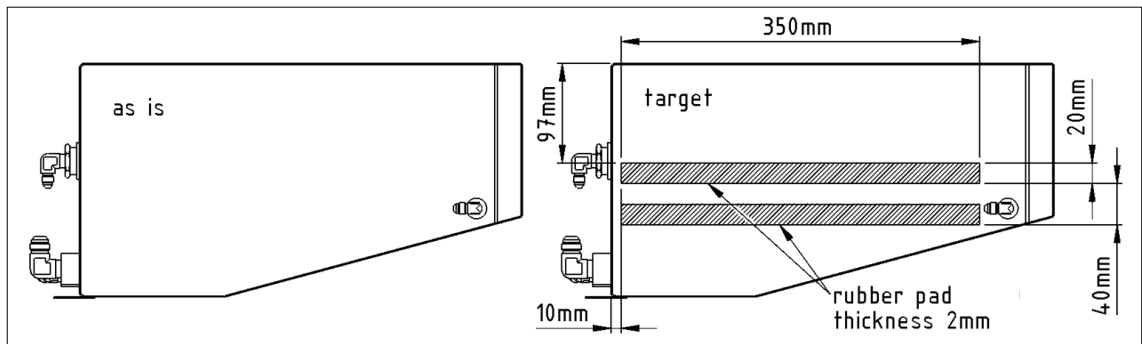


Figure 2 Fuel Acro Tank – bottom view

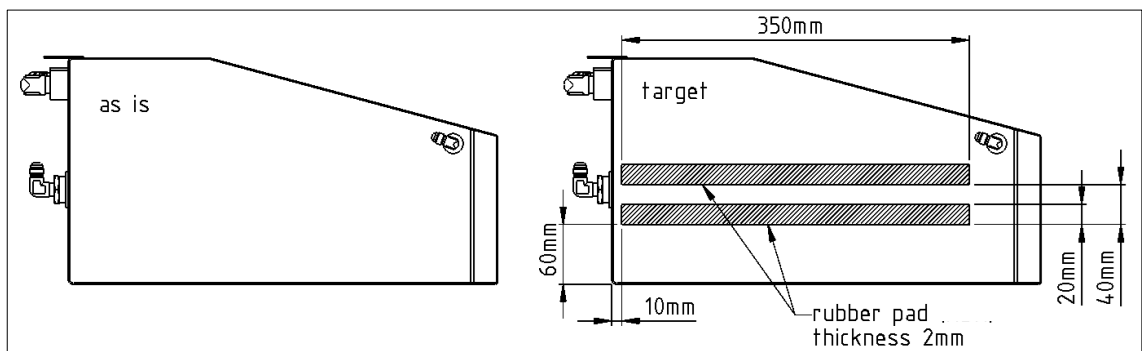


Figure 3 Smoke Oil Acro Tank – bottom view

8. Verify pads are placed directly over the attachments / bolts, then reinstall the tanks as per Chapters 28-10-01 (center tank), 28-10-02 (fuel acro tank) and 87-10-01 (smoke oil acro tank) of the AMM.
9. Reconnect the main battery and reinstall bottom fuselage access panel as per Chapter 53-30-01 of the AMM.
10. Perform engine run-up as per EXTRA NG Pilot's Operating Handbook section 4.3 and following as well as smoke system test as per section 908.2a if applicable. Check components and connections for leaks.
11. Reinstall top and bottom halves of the engine cowling as per Chapter 71-10 of the AMM.
12. Make a permanent note of the successful completion of this Service Bulletin in the aircraft logbook.  
Please also report the result of the inspection to EXTRA by returning the completed Form in Appendix A.

## MATERIAL

The required parts can to be ordered from:

EXTRA Flugzeugproduktions- und Vertriebs GmbH  
Flugplatz Dinslaken  
Schwarze Heide 21  
46569 Hünxe / Germany  
[parts@extraaircraft.com](mailto:parts@extraaircraft.com)

Table 1: Parts/Material required

EXTRA P/N	QTY	Description
<i>Subject to availability, either:</i>		
01737	3	Rubber Pad, non-adhesive (1200x20x2mm)
01049	3	Loctite 401 Instant Adhesive (3ml)
<i>or:</i>		
EX-61203.27	1	Rubber Pad 550x20 (self-adhesive)
EX-61203.28	1	Rubber Pad 305x20 (self-adhesive)
EX-61203.29	1	Rubber Pad 220x20 (self-adhesive)
EX-61204.14	4	Rubber Pad 350x20 (self-adhesive)
<i>Only when necessary:</i>		
EX-61203.10	1 (as appl.)	Center Tank Assy
EX-61204.10	1 (as appl.)	Acro Fuel Tank Assy
EX-71612.10	1 (as appl.)	Smoke Acro Tank Assy

**NOTE** New tanks are already fitted with the additional rubber pads.

**Please note:** For aircraft in warranty only, 24 man-hours is the maximum time to be considered necessary for the inspection and modification work per aircraft. EXTRA will only reimburse the hours it actually takes an Authorized Service Center (in Europe: EXTRA Flugzeugproduktions- und Vertriebs - GmbH) to perform the task, up to but not exceeding the maximum hours listed above.

