

## SERVICE BULLETIN

### No. SB-NG-2-23

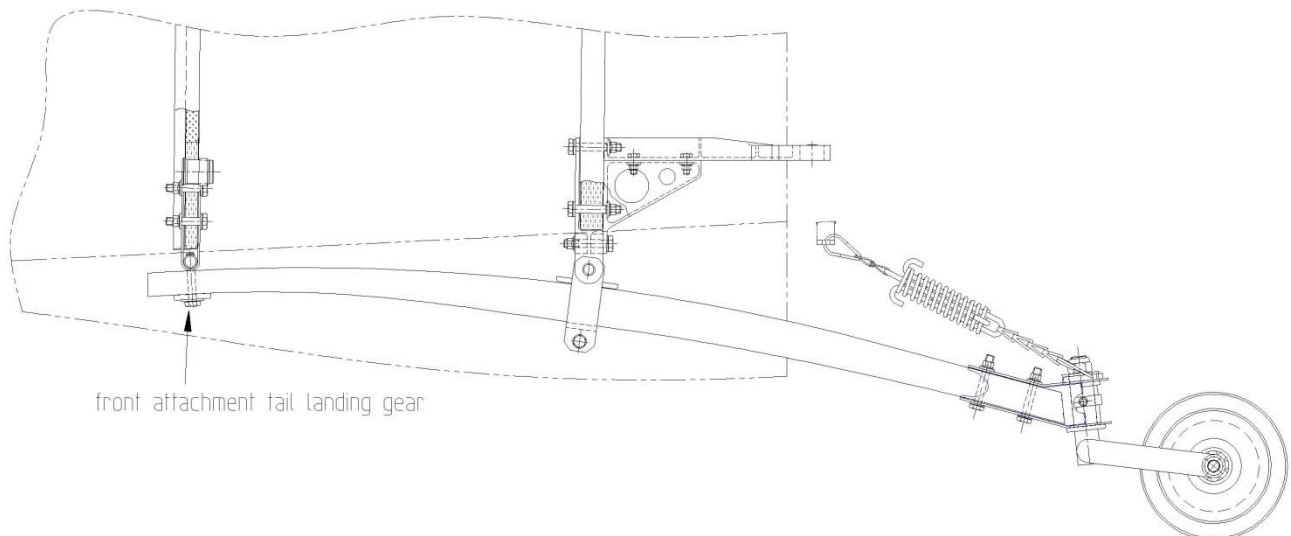
#### COMPLIANCE MANDATORY

**TO:** Owners and Operators of EXTRA NG airplanes

**Subject:** FWD Tail Spring Attachment Bracket

**Aircraft affected:** EXTRA NG: S/N NG001 through NG040,  
except related SL-NG-2-22 was already complied with.

**Purpose:** The failure of a forward attachment bracket (PN EX-21451.02) of the tail landing gear spring during landing roll at taxi speed was reported on two airplanes.



A design change of the forward attachment bracket is made available. This improved bracket can be used as direct exchange part/replacement of the original bracket installed.

This Service Bulletin (SB) provides information for the replacement of the respective bracket.

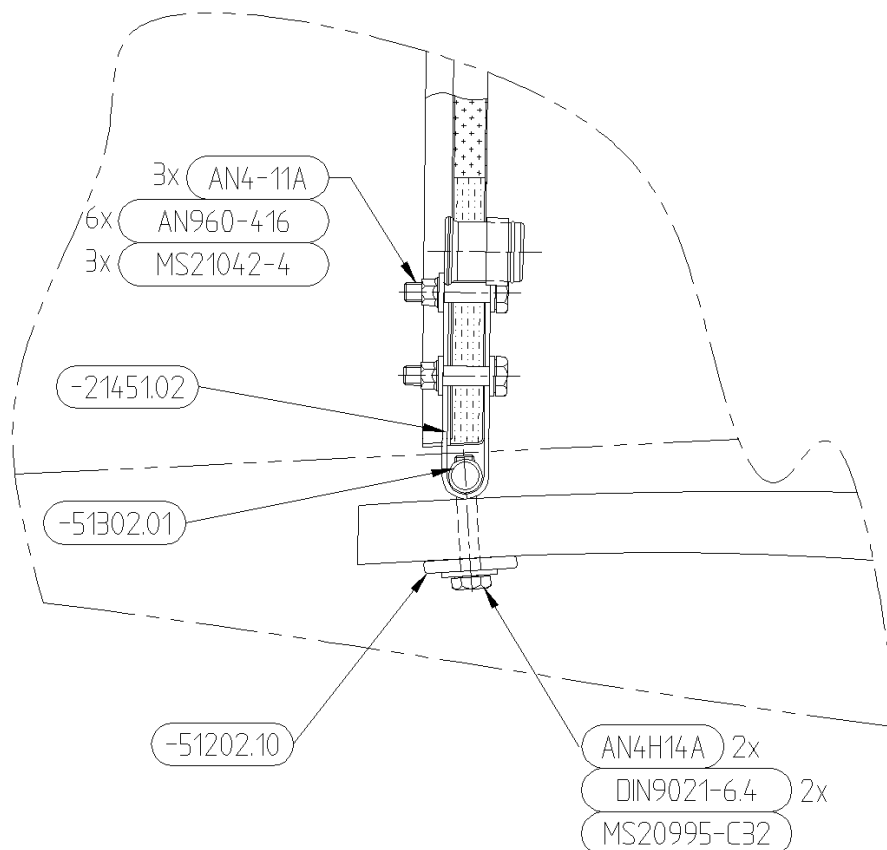
**Compliance time:** At the next scheduled 25h service interval

**Approval:** The technical content of this document is approved under the authority of the DOA ref. EASA.21J.593.

## INSTRUCTIONS

**NOTE** Alterations or repair of the aircraft must be accomplished by licensed personnel only.

1. Remove Tail Spring as per chapter 32-10-03 of the EXTRA NG Maintenance Manual (AMM).
2. Remove 3 bolts (AN4-11A) connecting the original fwd tail spring bracket (EX-21451.02) to the fuselage, then remove bracket. Keep bearing shaft (EX-51302.01).



*Fig.: Front attachment tail landing gear*

3. Apply grease (MIL-PRF-81322G or equivalent) to the bearing shaft (EX-51302.01) and insert into the improved bracket (EX-21451.02, Version A).

**NOTE** Make sure the threaded holes are free from grease

4. Reinstall the improved bracket (EX-21451.02, Version A) into fuselage. Use new locknuts (MS21042-4) and tighten bolts according to standard torque values (see chapter 20-10-03 of AMM).
5. Reinstall tail spring as per chapter 32-10-03 of the AMM. Secure the two bolts (AN4H14A) at the forward bracket with safety wire (see Figure above and Figure 3 in Chap. 32-10-04 of the AMM).

6. Make a permanent note of the successful completion of this Service Bulletin in the aircraft logbook.  
Please also report the completion of this Service Bulletin to EXTRA by returning the completed Form in Appendix A, together with the replaced original fwd tail spring attachment bracket.

## MATERIAL

The required parts can be ordered from:

EXTRA Flugzeugproduktions- und Vertriebs GmbH  
Flugplatz Dinslaken  
Schwarze Heide 21  
46569 Hünxe / Germany  
[parts@extraaircraft.com](mailto:parts@extraaircraft.com)

Table 1: Parts/Material required

<b>EXTRA P/N</b>	<b>QTY</b>	<b>Description</b>
EX-21451.02, Issue A	1	FWD Tail Spring Bracket (improved design)
MS21042-4	3	Locknut
<i>Additional material and tools needed:</i>		
n/a		Grease MIL-PRF-81322G (or equivalent)

### NOTE

Aircraft S/N NG041 and up are already equipped with the improved bracket (EX-21451.02, Version A) ex factory.

